

Dixie-Narco®



Lawrence Street
Ranson, West Virginia 25438

2 (804) 725-3481
(800) 624-0553

Service Bulletin

Date: September 1, 1977
Revised: September 13, 1977
*Revised: September 2, 1980

MODELS: Adaptable 5 select - Red Cam on Vend Motor
Adaptable 6 select - Red Cam on Vend Motor
*All Dual Adaptables

SUBJECT: 10 oz. Can Shims

REASON: To provide shims to dispense the 10 oz. Can.

KIT CONSISTS OF:

ITEMS

1.	1	C176,011,100.03	LH 10 oz. Can Shim	Each Standard Column
2.	1	C176,011,200.03	RH 10 oz. Can Shim	Column
3.	1	B231,010,020.03	Formed 10 oz. Can Shim LS	Each Narrow Column
4.	2	B231,070,290.03	Flat Shims, RS	
5.	1	B231,010,100.03	Rod Ass'y. - Installed in "C" Hole	

INSTALLATION:

Place Item #1 in left side of Standard Column.
Place Item #2 in right side of Standard Column.
Place Item #3 in left side of Narrow Column.
Place Item #4 in right side of Narrow Column when using rimless cans.
DO NOT place Item #4 in right side of Narrow Column when using rimmed cans.
Place Item #5 in "C" Hole of Vend Rotor (Spring toward rear) of Narrow Column.

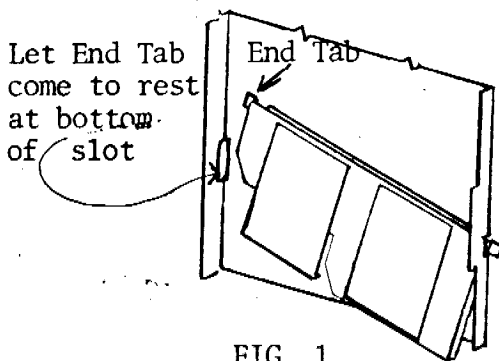


FIG. 1
Standard Column
Right Side Only
is Shown

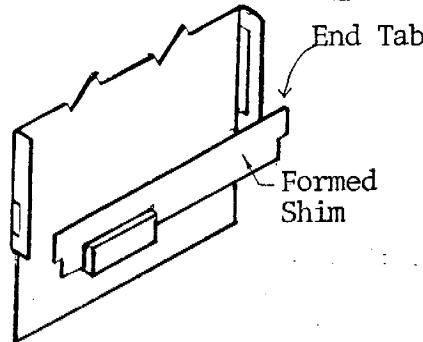


FIG. 2
Narrow Column
Left Side

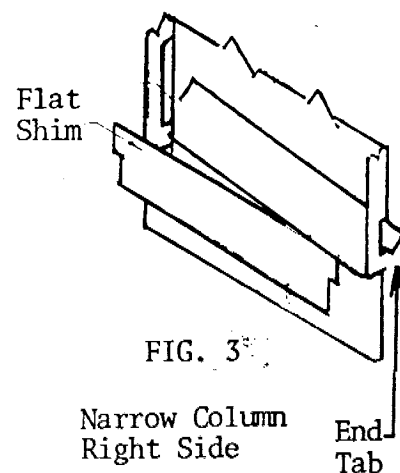


FIG. 3
Narrow Column
Right Side